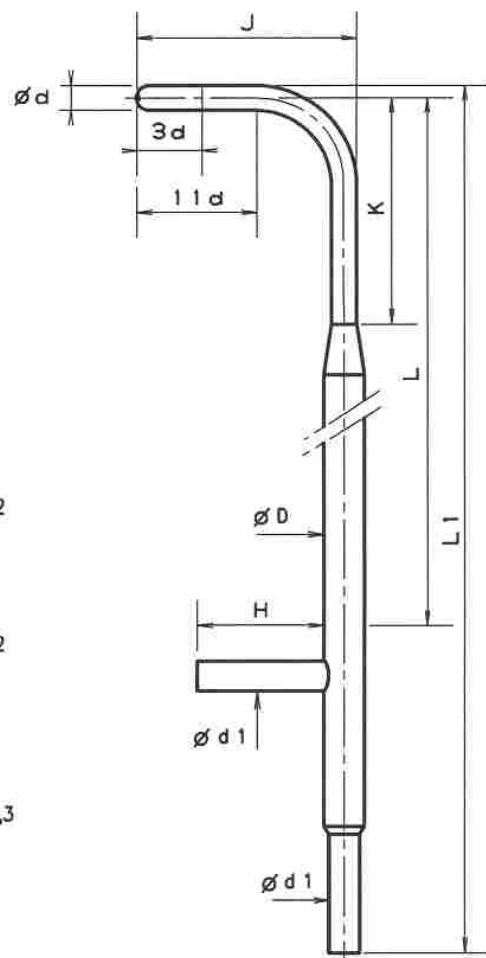


Data sheet

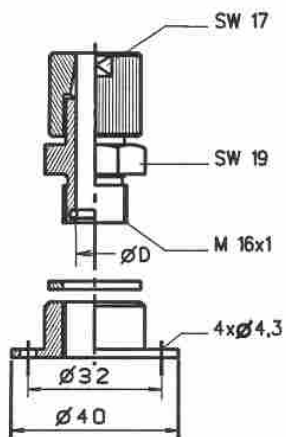
Pressure tubes with shaft, type FD 9912

According Prandtl, with half-spherical head and $0,3 d$ bore for measurement of absolute pressure.
 With 12 drillings of $0,1 d$ in a distance of $3 d$ for measurement of static pressure.
 Nozzle H is removable for the fitting of a stuffing box.
 Shaft with useful cm-division.

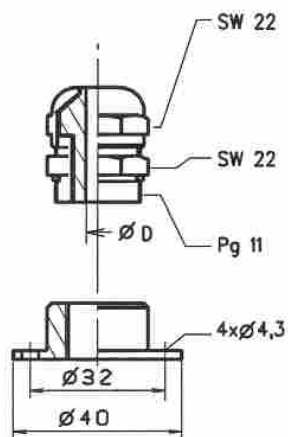
Typen-Nr.	d	L	L1	D	d1	H	J	K
FD 9912-22	1,8	200	265	6	5	25	25	25
FD 9912-33	3	300	355	6	5	25	42	30
FD 9912-54	5	400	465	8	6	25	70	40
FD 9912-56	5	600	665	8	6	25	70	40
FD 9912-86	8	600	675	8	6	30	112	80
FD 9912-88	8	800	875	8	6	30	112	80
FD 9912-96	10	800	875	10	6	30	140	100
FD 9912-97	10	1000	1075	10	6	30	140	100
FD 9912-98	10	1500	1575		6	30	140	100



Fixation steel



Fixation brass nickerled



Material operating temperature:

FD 9912-22 stainless steel, 350°C
 all others: brass nickel-plated, 350°C
 (also available in stainless for 700°C)